

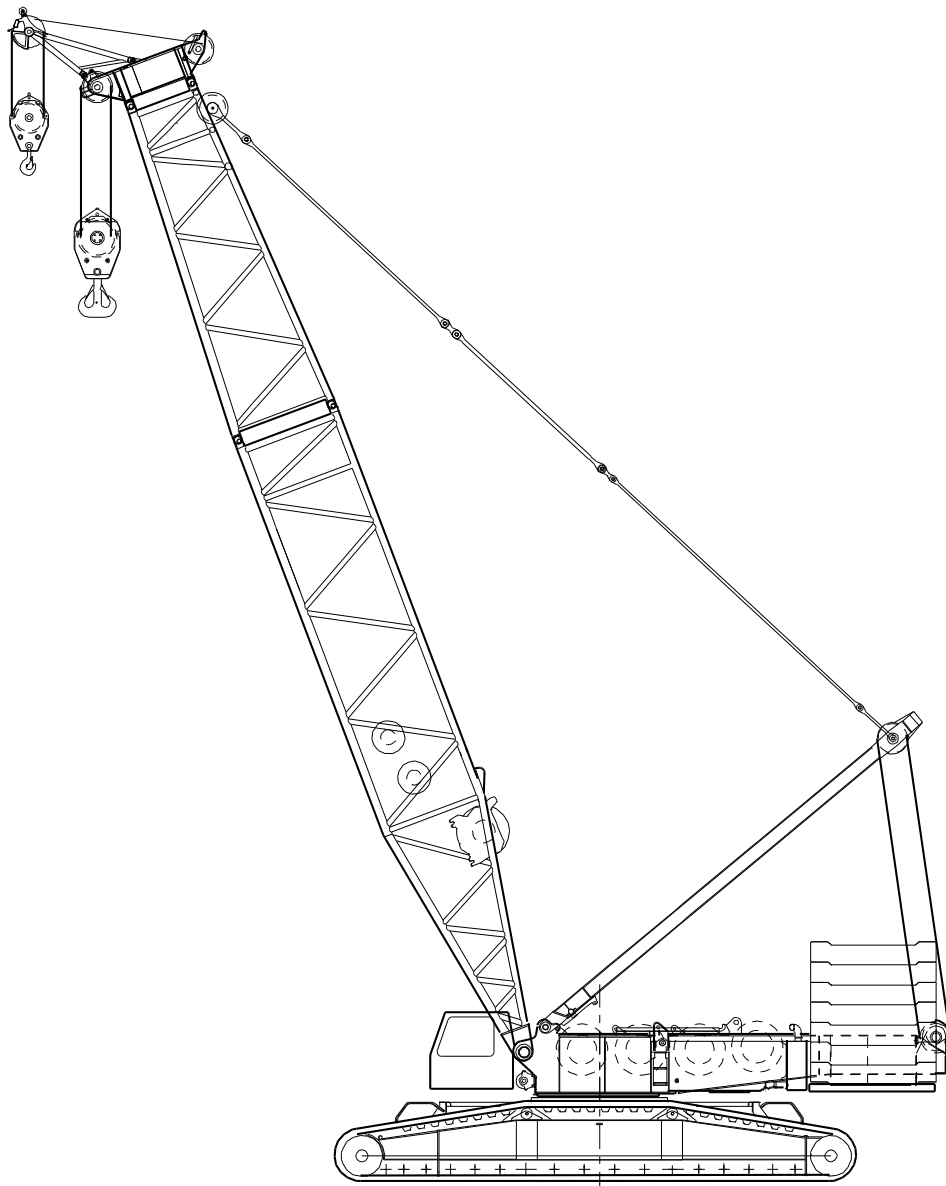


**sarens**  
group

[www.sarens.com](http://www.sarens.com)

**LIEBHERR LR 1400/2**

**400 TON**



nothing too heavy, nothing too high



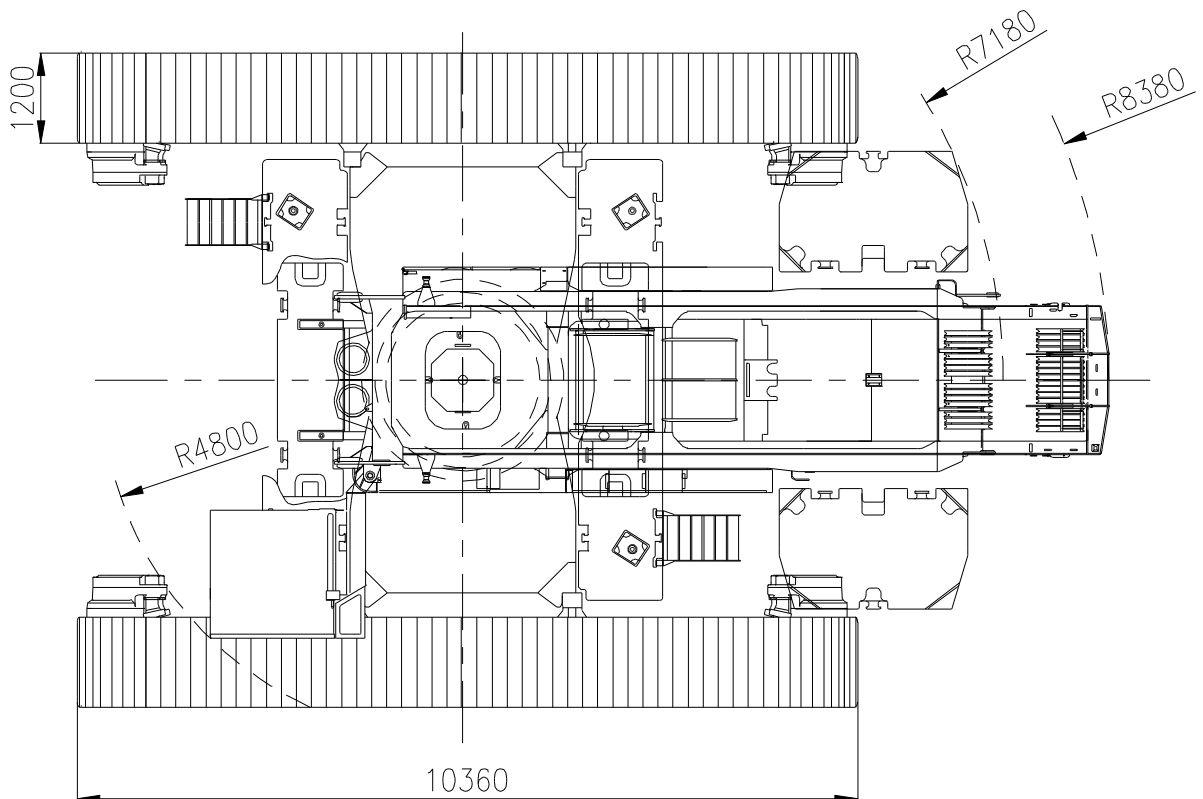
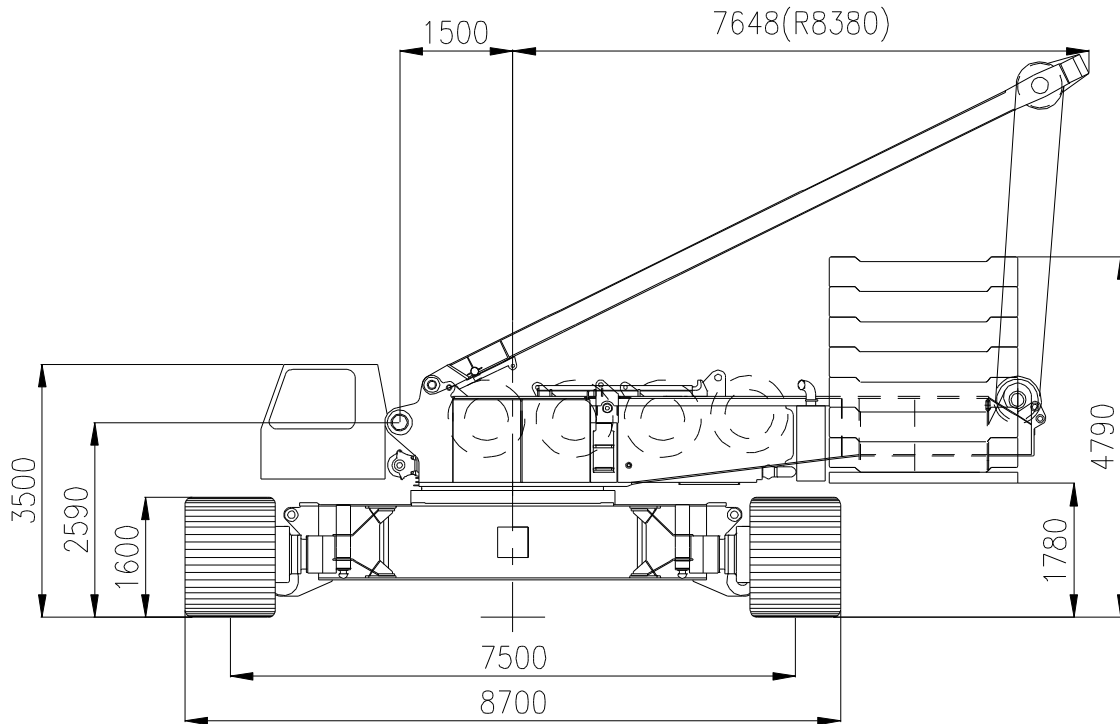


# LIEBHERR LR 1400/2

400 TON

Dimensions  
Dimensions

Abmessungen  
Afmetingen





# LIEBHERR LR 1400/2

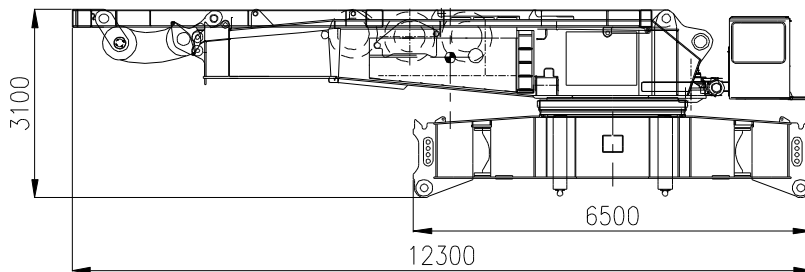
## 400 TON

Weight  
Poids

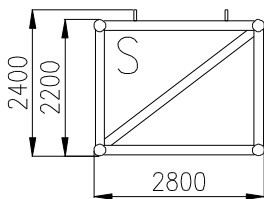
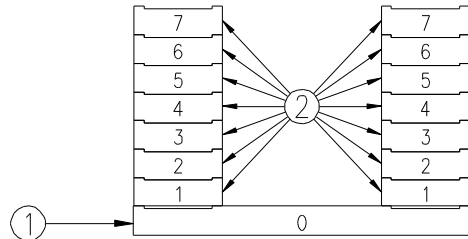
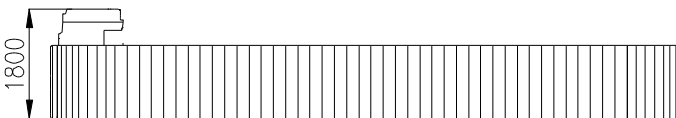
Gewicht  
Gewicht

<b>Superstructure with carbody + winch I, II, IV</b> <b>Partie supérieure avec carter central + treuil I, II, IV</b> <b>Oberwagen mit Mittelstück + Winde I, II, IV</b> <b>Bovenwagen met centraal onderstelgedeelte + lier I, II, IV</b>	<b>55.9 t</b>
<b>Crawler unit</b> <b>Bâti de chenille</b> <b>Raube</b> <b>Rups</b>	<b>2 x 27.7 t</b>
<b>Counterweight + cranebody counterweight</b> <b>Contrepoids + lest central</b> <b>Gegengewicht + Zentralballast</b> <b>Tegengewicht + centraalballast</b>	<b>155 + 43 t</b>

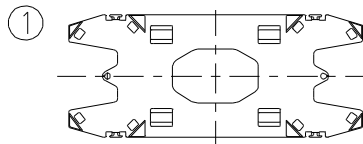
Carbody  
 55.9t (incl. winch I,II,IV)  
 47.5t (excl. winch I,II,IV)  
 12300 x 3000 x 3100 mm



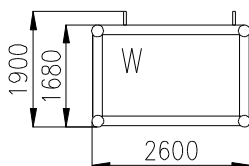
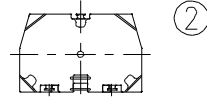
2 x 27.7t  
 10400 x 1800 x 1600 mm



1 x 15.9t  
 6000 x 2500 x 400 mm



14 x 10t  
 2500 x 1600 x 460 mm



Carbody counterweight  
 2 x 5.7t  
 5900 x 1200 x 160 mm



Carbody counterweight  
 4 x 8t  
 3100 x 900 x 500 mm



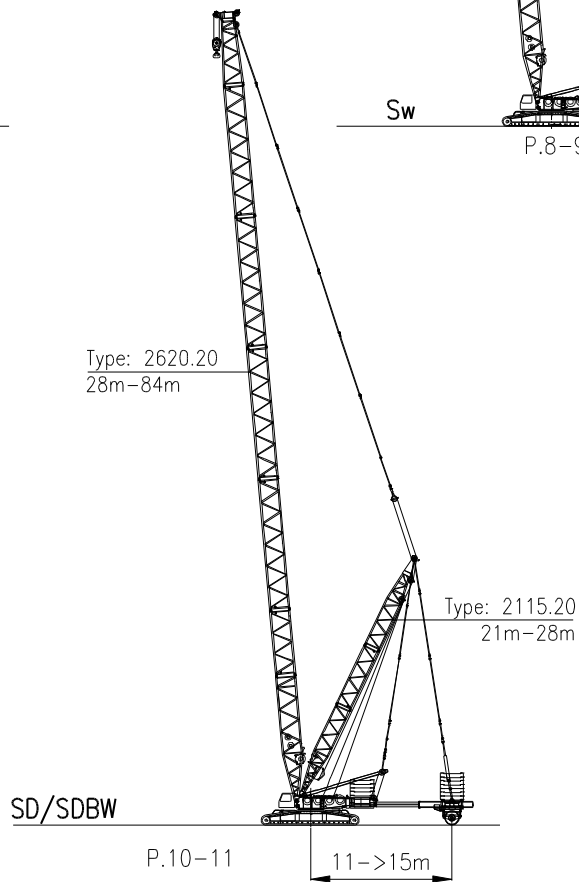
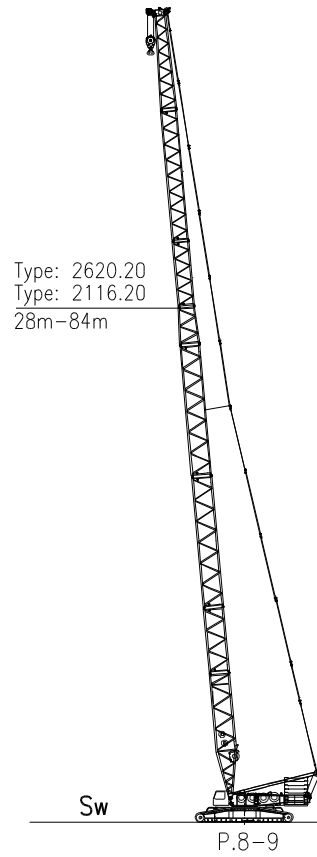
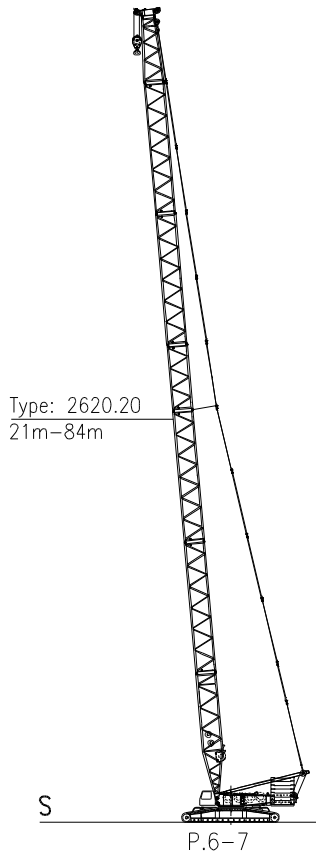


# LIEBHERR LR 1400/2

Configurations  
Configurations

## 400 TON

Konfigurationen  
Configuraties



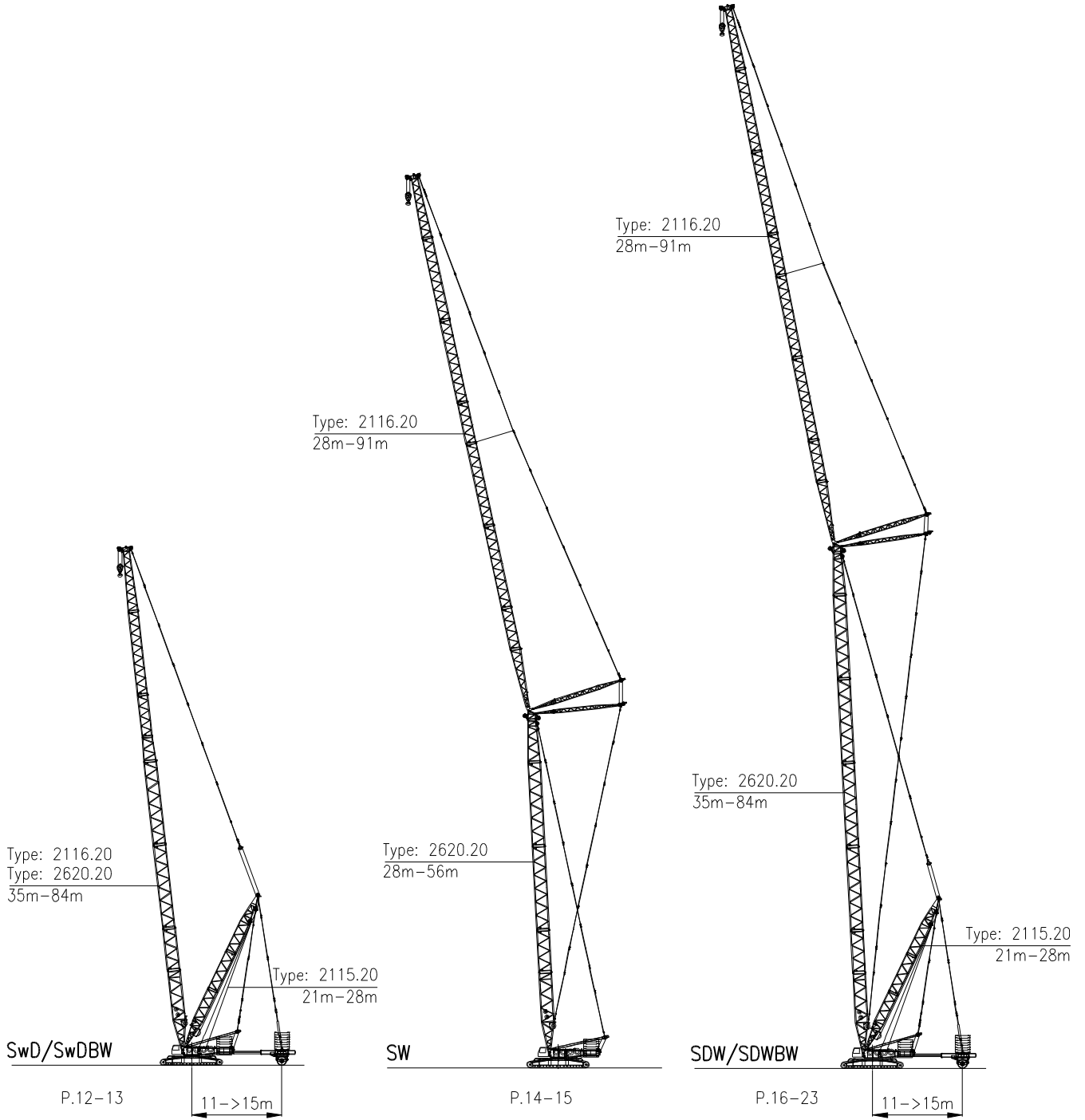


# LIEBHERR LR 1400/2

Configurations  
Configurations

## 400 TON

Konfigurationen  
Configuraties





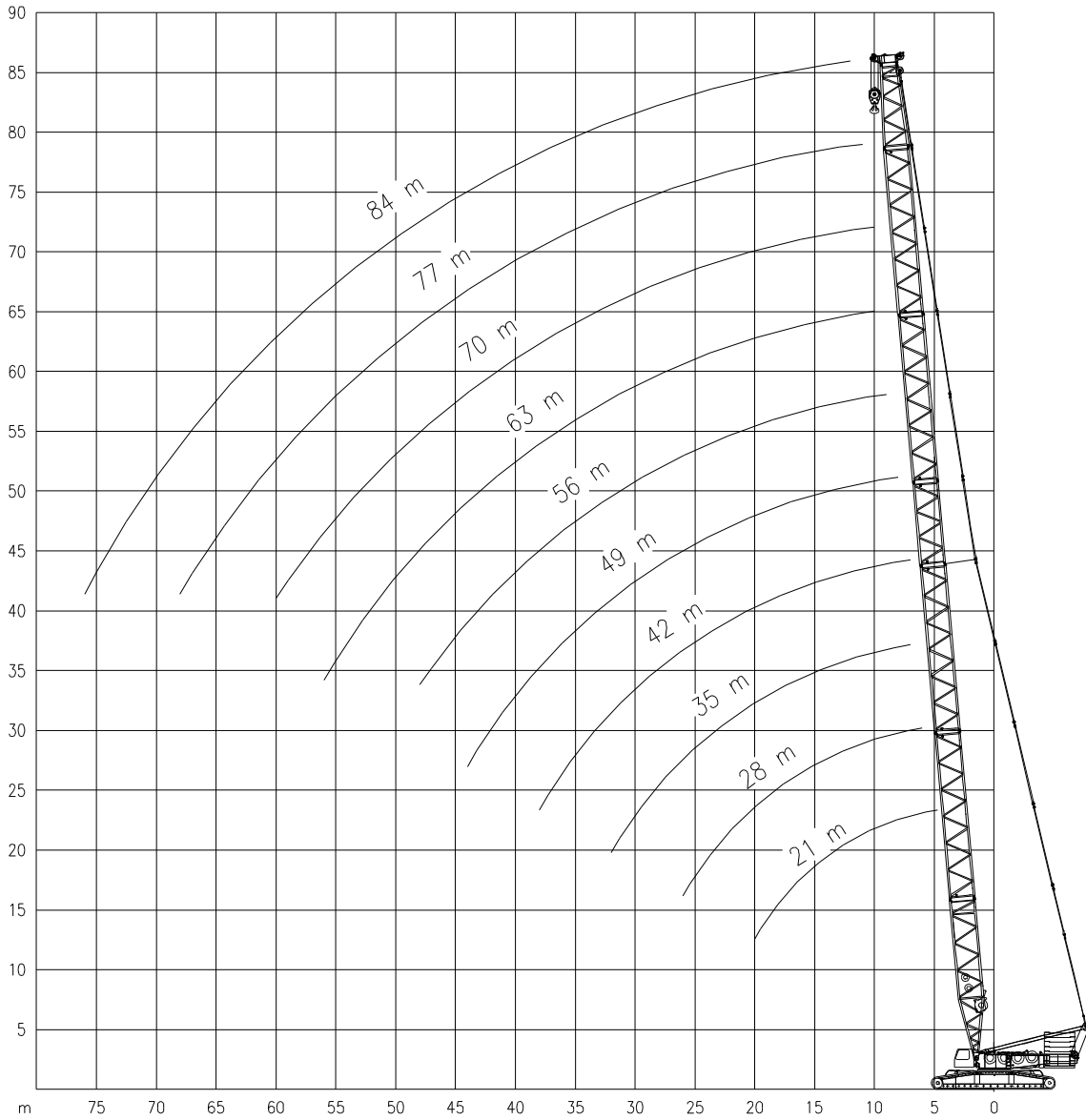
# LIEBHERR LR 1400/2

Working ranges  
Portées

400 TON

Arbeitsbereiche  
Werkbereich

S



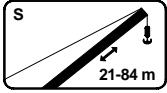


# LIEBHERR LR 1400/2

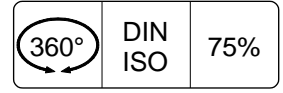
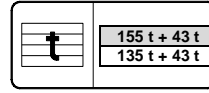
## 400 TON

Lifting capacities  
Capacités

Tragfähigkeiten  
Capaciteiten



S



m	21m	28m	35m	42m	49m	56m	63m	70m	77m	84m
	t	t	t	t	t	t	t	t	t	t
7.0	-	-	270.0	264.0	-	-	-	-	-	-
8.0	-	244.0	239.0	233.0	228.0	-	-	-	-	-
9.0	-	217.0	213.0	208.0	204.0	193.0	-	-	-	-
10.0	200.0	196.0	192.0	188.0	184.0	174.0	163.0	147.0	-	-
11.0	182.0	179.0	175.0	171.0	167.0	158.0	149.0	140.0	125.0	-
12.0	167.0	164.0	161.0	157.0	152.0	144.0	136.0	129.0	122.0	109.0
14.0	143.0	140.0	137.0	133.0	129.0	122.0	116.0	110.0	104.0	99.0
16.0	118.0	118.0	117.0	114.0	111.0	105.0	100.0	95.0	91.0	86.0
18.0	100.0	100.0	99.0	98.0	97.0	92.0	88.0	83.0	79.0	76.0
20.0	87.0	86.0	86.0	85.0	84.0	81.0	78.0	74.0	70.0	67.0
22.0	-	76.0	75.0	74.0	73.0	72.0	69.0	66.0	63.0	60.0
24.0	-	67.0	66.0	65.0	65.0	64.0	62.0	59.0	56.0	54.0
26.0	-	60.0	60.0	58.0	58.0	57.0	56.0	53.0	51.0	48.5
28.0	-	-	54.0	53.0	52.0	51.0	50.0	48.5	46.0	43.5
30.0	-	-	49.0	47.5	47.0	46.0	45.0	44.0	41.5	39.5
32.0	-	-	44.5	43.5	42.5	41.5	40.5	39.5	38.0	36.0
34.0	-	-	-	40.0	39.0	38.0	37.0	36.0	34.5	32.5
36.0	-	-	-	36.5	35.5	34.5	33.5	32.5	31.5	29.6
38.0	-	-	-	34.0	33.0	32.0	31.0	29.8	28.6	26.8
40.0	-	-	-	-	30.5	29.3	28.3	27.3	26.1	24.2
44.0	-	-	-	-	26.3	25.1	24.0	23.0	21.6	19.8
48.0	-	-	-	-	-	21.6	20.5	19.3	17.9	16.1
52.0	-	-	-	-	-	-	17.5	16.2	14.8	12.9
56.0	-	-	-	-	-	-	15.0	13.6	12.1	10.1
60.0	-	-	-	-	-	-	-	11.4	9.8	7.6
64.0	-	-	-	-	-	-	-	-	7.7	5.8
68.0	-	-	-	-	-	-	-	-	6.1	4.5
72.0	-	-	-	-	-	-	-	-	-	3.4
76.0	-	-	-	-	-	-	-	-	-	2.4

m	21m	28m	35m	42m	49m	56m	63m	70m	77m	84m
	t	t	t	t	t	t	t	t	t	t
4.5	350.0	-	-	-	-	-	-	-	-	-
5.0	350.0	-	-	-	-	-	-	-	-	-
5.5	338.0	-	-	-	-	-	-	-	-	-
6.0	312.0	305.0	-	-	-	-	-	-	-	-
6.5	290.0	283.0	-	-	-	-	-	-	-	-
7.0	270.0	265.0	259.0	253.0	-	-	-	-	-	-
8.0	238.0	233.0	228.0	223.0	213.0	-	-	-	-	-
9.0	213.0	208.0	204.0	199.0	188.0	175.0	-	-	-	-
10.0	192.0	188.0	184.0	179.0	168.0	157.0	148.0	139.0	-	-
11.0	175.0	171.0	168.0	161.0	151.0	142.0	134.0	126.0	119.0	-
12.0	159.0	156.0	153.0	146.0	137.0	129.0	122.0	116.0	110.0	104.0
14.0	130.0	130.0	128.0	122.0	116.0	109.0	104.0	98.0	93.0	89.0
16.0	107.0	106.0	106.0	105.0	99.0	94.0	89.0	85.0	81.0	77.0
18.0	90.0	90.0	89.0	88.0	87.0	82.0	78.0	74.0	71.0	67.0
20.0	78.0	78.0	77.0	76.0	75.0	73.0	69.0	66.0	62.0	59.0
22.0	-	68.0	67.0	66.0	66.0	65.0	61.0	58.0	55.0	53.0
24.0	-	60.0	60.0	58.0	58.0	57.0	55.0	52.0	49.5	47.0
26.0	-	54.0	53.0	52.0	51.0	50.0	49.5	47.0	44.5	42.0
28.0	-	-	48.0	46.5	46.0	45.0	44.0	42.5	40.0	37.5
30.0	-	-	43.5	42.0	41.5	40.5	39.5	38.5	36.0	34.0
32.0	-	-	39.5	38.5	37.5	36.5	35.5	34.5	32.5	30.5
34.0	-	-	-	35.0	34.0	33.0	32.5	31.5	29.6	27.7
36.0	-	-	-	32.5	31.5	30.5	29.3	28.4	27.0	25.1
38.0	-	-	-	29.8	28.8	27.7	26.7	25.7	24.5	22.7
40.0	-	-	-	-	26.6	25.4	24.4	23.4	22.3	20.6
44.0	-	-	-	-	22.8	21.6	20.5	19.3	18.2	16.9
48.0	-	-	-	-	-	18.5	17.2	15.9	14.7	13.4
52.0	-	-	-	-	-	-	14.4	13.1	11.8	10.3
56.0	-	-	-	-	-	-	12.1	10.7	9.4	7.6
60.0	-	-	-	-	-	-	-	8.8	7.3	5.6
64.0	-	-	-	-	-	-	-	-	5.6	4.2
68.0	-	-	-	-	-	-	-	-	4.2	2.9



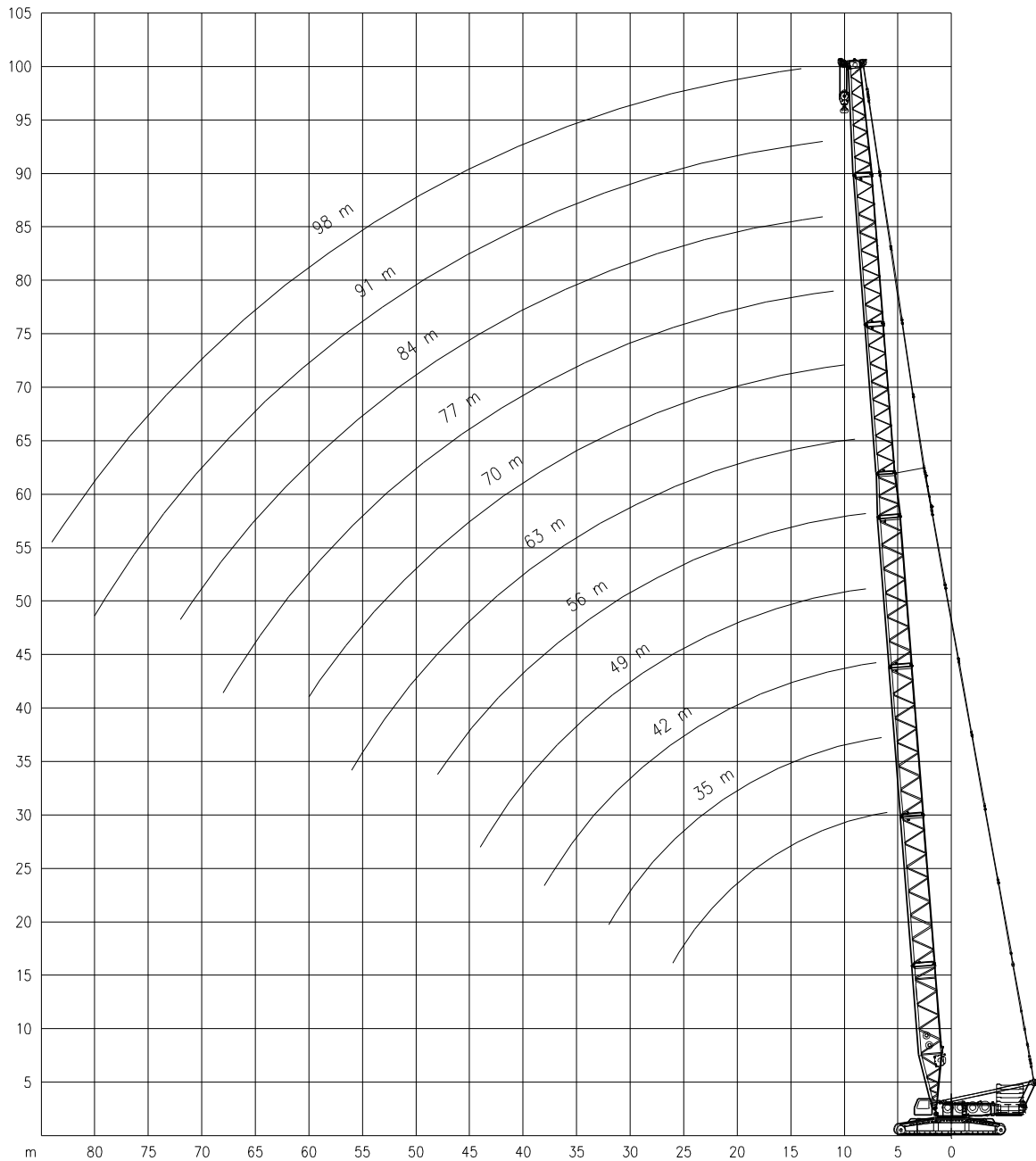
# LIEBHERR LR 1400/2

Working ranges  
Portées

400 TON

Arbeitsbereiche  
Werkbereich

Sw





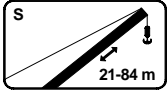


# LIEBHERR LR 1400/2

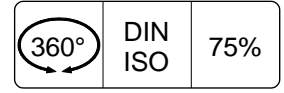
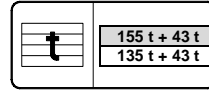
## 400 TON

Lifting capacities  
Capacités

Tragfähigkeiten  
Capaciteiten



Sw



	28m	35m	42m	49m	56m	63m	70m	77m	84m	91m	98m
	t	t	t	t	t	t	t	t	t	t	t
7.0	-	-	-	-	-	-	-	-	-	-	-
8.0	-	-	-	180.0	153.0	-	-	-	-	-	-
9.0	-	-	-	180.0	146.0	134.0	-	-	-	-	-
10.0	-	-	168.0	176.0	138.0	126.0	111.0	-	-	-	-
11.0	-	169.0	165.0	165.0	131.0	118.0	108.0	110.0	-	-	-
12.0	168.0	165.0	162.0	156.0	124.0	112.0	105.0	109.0	100.0	90.0	-
14.0	144.0	142.0	139.0	133.0	113.0	100.0	100.0	105.0	98.0	83.0	74.0
16.0	121.0	121.0	120.0	115.0	102.0	90.0	95.0	96.0	92.0	81.0	72.0
18.0	103.0	102.0	102.0	101.0	92.0	81.0	89.0	85.0	81.0	78.0	71.0
20.0	89.0	89.0	88.0	87.0	84.0	73.0	79.0	76.0	73.0	70.0	67.0
22.0	78.0	78.0	78.0	77.0	76.0	66.0	71.0	68.0	65.0	63.0	61.0
24.0	70.0	70.0	69.0	68.0	68.0	60.0	65.0	62.0	59.0	57.0	55.0
26.0	63.0	63.0	62.0	61.0	61.0	54.0	59.0	56.0	54.0	52.0	50.0
28.0	-	57.0	56.0	55.0	55.0	49.5	53.0	51.0	49.5	48.0	45.5
30.0	-	52.0	51.0	50.0	50.0	46.5	48.0	47.5	45.5	44.0	41.5
32.0	-	48.0	47.0	46.0	45.5	43.5	44.0	43.0	41.5	40.5	38.5
34.0	-	-	43.5	42.5	42.0	40.5	40.0	39.5	38.5	37.0	35.0
36.0	-	-	40.5	39.5	38.5	37.5	37.0	36.0	35.5	34.5	32.5
38.0	-	-	37.5	36.5	36.0	35.0	34.0	33.0	32.5	32.0	30.0
40.0	-	-	-	34.0	33.5	32.5	31.5	30.5	29.9	29.6	27.7
44.0	-	-	-	29.8	29.2	28.1	27.2	26.3	25.5	25.2	23.4
48.0	-	-	-	-	25.8	24.6	23.7	22.7	22.0	21.6	19.7
52.0	-	-	-	-	-	21.7	20.8	19.8	19.0	18.5	16.6
56.0	-	-	-	-	-	18.2	18.4	17.4	16.4	15.8	14.0
60.0	-	-	-	-	-	-	16.4	15.2	14.2	13.5	11.6
64.0	-	-	-	-	-	-	-	13.3	12.2	11.5	9.5
68.0	-	-	-	-	-	-	-	11.7	10.5	9.7	7.6
72.0	-	-	-	-	-	-	-	-	9.1	8.1	6.2
76.0	-	-	-	-	-	-	-	-	-	6.7	5.1
80.0	-	-	-	-	-	-	-	-	-	5.8	4.2
84.0	-	-	-	-	-	-	-	-	-	-	3.4

	28m	35m	42m	49m	56m	63m	70m	77m	84m	91m	98m
	t	t	t	t	t	t	t	t	t	t	t
6.0	180.0	-	-	-	-	-	-	-	-	-	-
6.5	180.0	180.0	-	-	-	-	-	-	-	-	-
7.0	180.0	180.0	180.0	-	-	-	-	-	-	-	-
8.0	180.0	180.0	180.0	180.0	153.0	-	-	-	-	-	-
9.0	180.0	180.0	180.0	180.0	146.0	134.0	-	-	-	-	-
10.0	180.0	180.0	180.0	172.0	138.0	126.0	111.0	-	-	-	-
11.0	175.0	172.0	166.0	156.0	131.0	118.0	108.0	110.0	-	-	-
12.0	160.0	158.0	151.0	142.0	124.0	112.0	105.0	109.0	100.0	90.0	-
14.0	132.0	132.0	127.0	120.0	113.0	100.0	100.0	99.0	94.0	83.0	74.0
16.0	109.0	109.0	109.0	104.0	99.0	90.0	90.0	86.0	82.0	79.0	72.0
18.0	93.0	92.0	92.0	91.0	87.0	81.0	79.0	76.0	73.0	70.0	67.0
20.0	80.0	80.0	80.0	79.0	78.0	73.0	71.0	68.0	65.0	63.0	60.0
22.0	71.0	70.0	70.0	69.0	68.0	66.0	64.0	61.0	58.0	56.0	54.0
24.0	63.0	63.0	62.0	61.0	61.0	60.0	57.0	55.0	53.0	51.0	48.5
26.0	57.0	56.0	56.0	55.0	54.0	53.0	52.0	50.0	47.5	46.0	44.0
28.0	-	51.0	50.0	49.5	49.0	48.0	47.5	45.5	43.5	42.0	40.0
30.0	-	46.5	46.0	45.0	44.5	43.5	42.5	41.5	39.5	38.5	36.5
32.0	-	43.0	42.0	41.0	40.5	39.5	39.0	38.0	36.5	35.0	33.0
34.0	-	-	39.0	38.0	37.0	36.0	35.5	34.5	33.5	32.5	30.5
36.0	-	-	36.0	35.0	34.5	33.5	32.5	31.5	31.0	29.8	27.9
38.0	-	-	33.5	32.5	32.0	30.5	29.9	29.0	28.3	27.5	25.6
40.0	-	-	-	30.0	29.5	28.4	27.6	26.7	26.0	25.4	23.6
44.0	-	-	-	26.3	25.7	24.6	23.7	22.8	22.0	21.7	20.0
48.0	-	-	-	-	22.6	21.4	20.5	19.6	18.8	18.5	17.0
52.0	-	-	-	-	-	18.9	17.9	16.9	16.0	15.6	14.1
56.0	-	-	-	-	-	16.7	15.7	14.5	13.6	13.1	11.6
60.0	-	-	-	-	-	-	13.8	12.5	11.5	10.9	9.4
64.0	-	-	-	-	-	-	-	10.8	9.7	9.1	7.3
68.0	-	-	-	-	-	-	-	9.3	8.2	7.5	5.9
72.0	-	-	-	-	-	-	-	-	6.9	6.2	4.8
76.0	-	-	-	-	-	-	-	-	-	5.1	3.8
80.0	-	-	-	-	-	-	-	-	-	4.1	2.8



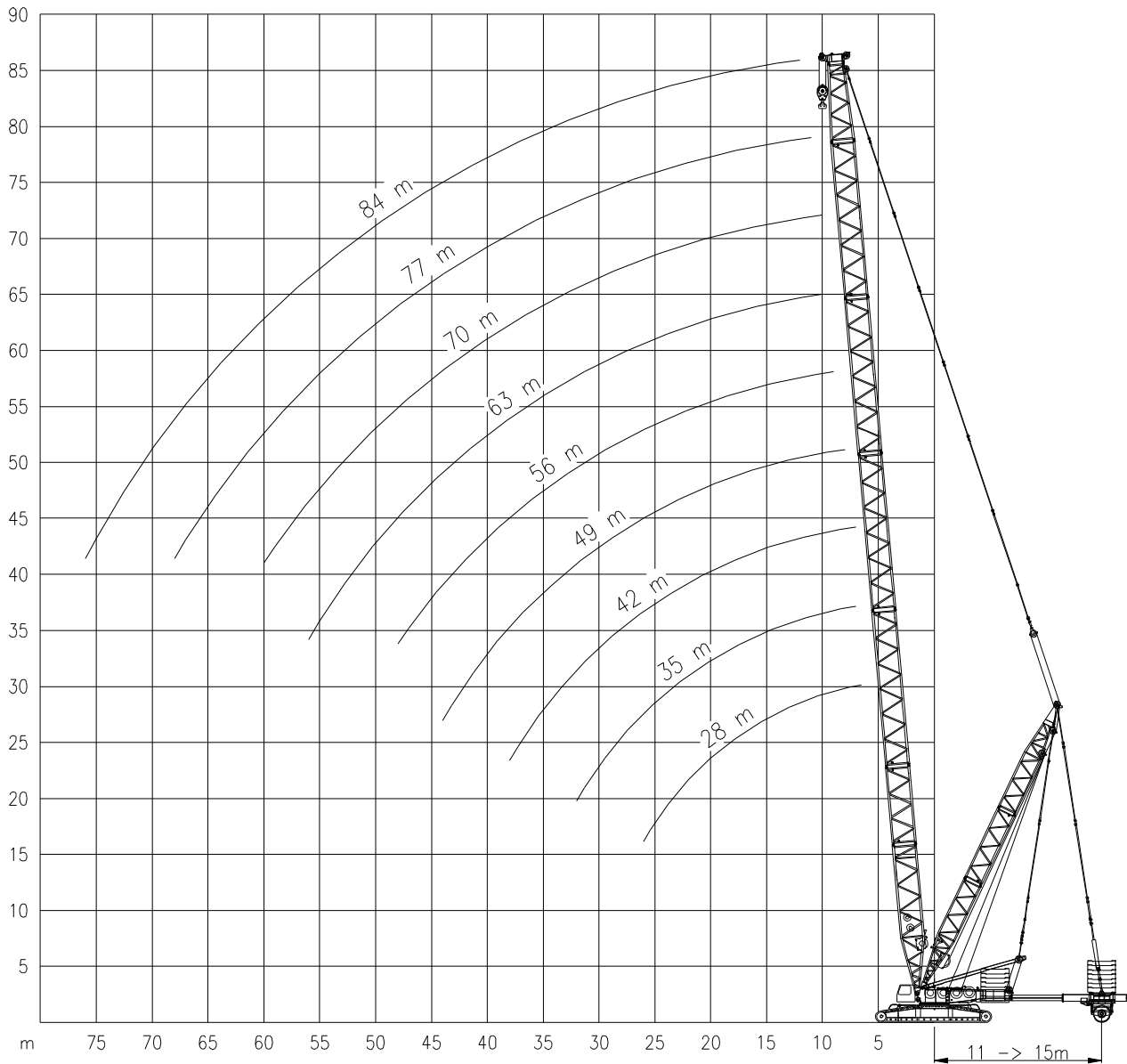
# LIEBHERR LR 1400/2

Working ranges  
Portées

**400 TON**

Arbeitsbereiche  
Werkbereich

**SD + SDBW**





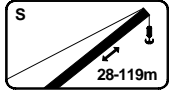


# LIEBHERR LR 1400/2

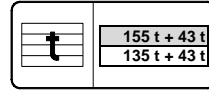
## 400 TON

Lifting capacities  
Capacités

Tragfähigkeiten  
Capacités



SD + SDBW



DIN  
ISO

75%

m	91 m				98 m				105 m			
	SD	SDBW 260t			SD	SDBW 260t			SD	SDBW 260t		
	0t	11m	13m	15m	0t	11m	13m	15m	0t	11m	13m	15m
14.0	104.0	133.0	133.0	133.0	96.0	115.0	115.0	115.0	-	-	-	-
16.0	90.0	131.0	131.0	131.0	86.0	115.0	115.0	115.0	82.0	94.0	94.0	94.0
18.0	79.0	129.0	129.0	129.0	76.0	115.0	115.0	115.0	72.0	94.0	94.0	94.0
20.0	70.0	127.0	127.0	127.0	67.0	115.0	115.0	115.0	64.0	94.0	94.0	94.0
22.0	61.0	123.0	123.0	123.0	60.0	114.0	114.0	114.0	57.0	93.0	93.0	93.0
24.0	53.0	118.0	118.0	119.0	52.0	114.0	114.0	114.0	50.0	91.0	91.0	91.0
26.0	46.0	115.0	115.0	115.0	45.5	110.0	112.0	112.0	43.5	89.0	89.0	89.0
28.0	40.5	112.0	112.0	112.0	39.5	106.0	110.0	111.0	38.0	87.0	87.0	87.0
30.0	35.5	109.0	109.0	109.0	34.5	102.0	107.0	109.0	33.0	85.0	85.0	85.0
32.0	31.5	105.0	105.0	105.0	30.5	98.0	103.0	107.0	28.8	84.0	84.0	84.0
34.0	27.7	97.0	103.0	103.0	26.8	95.0	100.0	103.0	25.1	82.0	82.0	82.0
36.0	24.5	89.0	100.0	100.0	23.6	91.0	96.0	100.0	21.8	80.0	80.0	80.0
38.0	21.7	82.0	96.0	96.0	20.7	85.0	93.0	97.0	18.9	77.0	78.0	78.0
40.0	19.1	77.0	91.0	93.0	18.1	79.0	90.0	93.0	16.4	73.0	76.0	76.0
44.0	14.8	67.0	80.0	87.0	13.7	68.0	81.0	86.0	11.9	63.0	71.0	71.0
48.0	11.2	59.0	71.0	81.0	10.1	60.0	71.0	79.0	8.3	55.0	66.0	66.0
52.0	8.2	52.0	63.0	73.0	7.0	53.0	63.0	73.0	5.3	50.0	59.0	62.0
56.0	5.6	49.0	59.0	66.0	4.5	46.5	56.0	66.0	-	44.5	54.0	58.0
60.0	3.4	44.0	53.0	62.0	-	44.0	53.0	59.0	-	39.5	48.5	54.0
64.0	-	39.5	48.5	56.0	-	39.5	48.5	55.0	-	35.5	43.5	51.0
68.0	-	35.5	43.5	51.0	-	35.5	43.5	51.0	-	31.5	39.0	44.5
72.0	-	34.5	42.0	47.0	-	32.0	39.5	47.0	-	30.0	37.5	38.0
76.0	-	31.5	38.5	44.5	-	30.5	37.5	42.5	-	27.2	33.5	33.5
80.0	-	28.6	35.5	42.0	-	27.6	34.5	40.0	-	24.4	29.5	29.5
84.0	-	-	-	-	-	25.1	31.5	37.5	-	21.9	26.2	26.3
88.0	-	-	-	-	-	-	-	-	-	19.9	24.6	24.6
92.0	-	-	-	-	-	-	-	-	-	17.9	23.0	23.0
		112 m			119 m							
16.0	72.0	82.0	82.0	82.0	62.0	68.0	68.0	68.0				
18.0	70.0	81.0	81.0	81.0	62.0	68.0	68.0	68.0				
20.0	62.0	80.0	80.0	80.0	58.0	68.0	68.0	68.0				
22.0	55.0	79.0	79.0	79.0	52.0	67.0	67.0	67.0				
24.0	49.0	77.0	77.0	77.0	46.0	67.0	67.0	67.0				
26.0	43.5	75.0	75.0	75.0	41.0	67.0	67.0	67.0				
28.0	37.5	73.0	73.0	73.0	36.0	67.0	67.0	67.0				
30.0	32.5	71.0	71.0	71.0	31.0	66.0	66.0	66.0				
32.0	28.3	69.0	69.0	69.0	26.7	65.0	65.0	65.0				
34.0	24.5	67.0	67.0	67.0	23.0	64.0	64.0	64.0				
36.0	21.2	65.0	65.0	65.0	19.7	62.0	63.0	63.0				
38.0	18.3	63.0	63.0	64.0	16.7	60.0	62.0	62.0				
40.0	15.7	62.0	62.0	62.0	14.1	58.0	61.0	62.0				
44.0	11.2	58.0	58.0	58.0	9.6	55.0	58.0	59.0				
48.0	7.5	54.0	54.0	54.0	5.8	51.0	54.0	56.0				
52.0	4.5	49.5	50.0	50.0	-	48.0	51.0	54.0				
56.0	-	44.0	47.0	47.0	-	43.0	48.5	51.0				
60.0	-	39.0	44.0	44.0	-	38.0	46.5	48.5				
64.0	-	34.5	41.5	41.5	-	33.5	42.0	46.0				
68.0	-	33.0	37.5	39.0	-	33.0	37.0	43.5				
72.0	-	29.4	32.5	32.5	-	29.2	34.0	39.5				
76.0	-	26.2	26.8	26.8	-	26.2	31.0	37.5				
80.0	-	23.0	23.0	23.0	-	21.1	27.6	34.0				
84.0	-	19.4	19.4	19.4	-	19.6	25.8	31.0				
88.0	-	16.7	16.7	16.8	-	17.4	23.3	28.9				
92.0	-	14.9	14.9	14.9	-	15.4	21.0	25.1				
96.0	-	13.1	13.1	13.1	-	13.4	18.8	20.7				
100.0	-	12.5	12.5	12.5	-	11.7	16.9	17.8				
104.0	-	-	-	-	-	10.2	15.2	16.2				



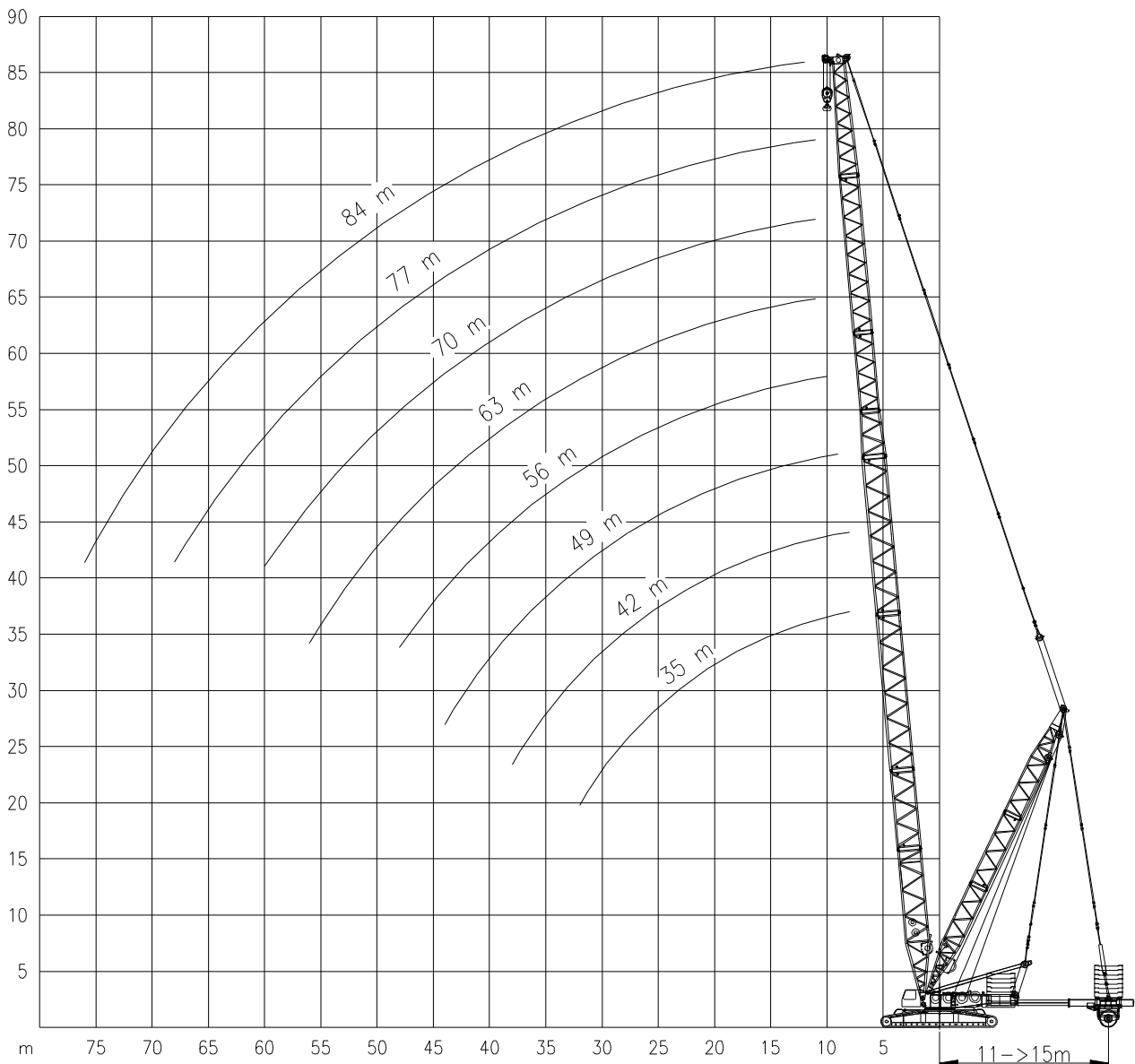
# LIEBHERR LR 1400/2

Working ranges  
Portées

**400 TON**

Arbeitsbereiche  
Werkbereich

**SwD + SwDBW**





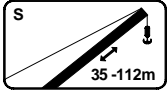


# LIEBHERR LR 1400/2

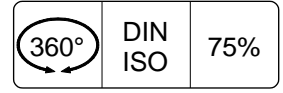
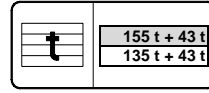
## 400 TON

Lifting capacities  
Capacités

Tragfähigkeiten  
Capacités



SwD + SwDBW



m	98 m				105 m				112 m			
	SwD	SwDBW 260t			SwD	SwDBW 260t			SwD	SwDBW 260t		
	0t	11m	13m	15m	0t	11m	13m	15m	0t	11m	13m	15m
14.0	82.0	82.0	82.0	82.0	-	-	-	-	-	-	-	-
16.0	80.0	80.0	80.0	80.0	76.0	76.0	76.0	76.0	58.0	58.0	58.0	58.0
18.0	78.0	78.0	78.0	78.0	75.0	75.0	75.0	75.0	58.0	58.0	58.0	58.0
20.0	74.0	75.0	75.0	75.0	71.0	73.0	73.0	73.0	58.0	58.0	58.0	58.0
22.0	66.0	73.0	73.0	73.0	64.0	71.0	71.0	71.0	58.0	58.0	58.0	58.0
24.0	58.0	70.0	70.0	70.0	57.0	69.0	69.0	69.0	55.0	58.0	58.0	58.0
26.0	52.0	67.0	67.0	67.0	50.0	66.0	66.0	66.0	50.0	57.0	57.0	57.0
28.0	46.0	64.0	64.0	64.0	44.5	63.0	63.0	63.0	44.0	55.0	55.0	55.0
30.0	41.5	62.0	62.0	62.0	40.0	60.0	60.0	60.0	39.5	53.0	53.0	53.0
32.0	37.0	59.0	59.0	59.0	36.0	58.0	58.0	58.0	35.0	52.0	52.0	52.0
34.0	33.5	56.0	56.0	56.0	32.0	55.0	55.0	55.0	31.5	49.5	49.5	49.5
36.0	30.5	54.0	54.0	54.0	29.1	53.0	53.0	53.0	28.3	47.0	47.0	47.0
38.0	27.6	52.0	52.0	52.0	26.2	51.0	51.0	51.0	25.5	45.0	45.0	45.0
40.0	25.1	49.5	49.5	49.5	23.7	48.0	48.0	48.0	22.9	43.5	43.5	43.5
44.0	20.8	46.0	46.0	46.0	19.4	45.0	45.0	45.0	18.5	41.0	41.0	41.0
48.0	17.2	43.0	43.0	43.0	15.8	42.0	42.0	42.0	14.9	38.0	38.0	38.0
52.0	14.2	40.0	40.0	40.0	12.8	38.5	38.5	38.5	11.9	35.0	35.0	35.0
56.0	11.6	37.0	37.0	37.0	10.2	36.0	36.0	36.0	9.3	32.5	32.5	32.5
60.0	9.4	34.5	34.5	34.5	8.0	34.0	34.0	34.0	7.0	30.5	30.5	30.5
64.0	7.5	32.5	32.5	32.5	6.1	32.0	32.0	32.0	5.1	29.0	29.0	29.0
68.0	5.9	30.5	30.5	30.5	4.4	30.5	30.5	30.5	3.4	27.5	27.5	27.5
72.0	4.4	30.0	30.0	30.0	2.9	29.0	29.0	29.0	-	26.0	26.0	26.0
76.0	3.1	29.2	29.2	29.2	-	28.0	28.0	28.0	-	24.8	24.8	24.8
80.0	-	28.4	28.4	28.4	-	27.0	27.0	27.0	-	23.6	23.6	23.6
84.0	-	27.6	27.6	27.6	-	26.0	26.0	26.0	-	22.5	22.5	22.5
88.0	-	-	-	-	-	25.0	25.0	25.0	-	21.4	21.4	21.4
92.0	-	-	-	-	-	24.0	24.0	24.0	-	20.4	20.4	20.4
96.0	-	-	-	-	-	-	-	-	-	19.5	19.5	19.5



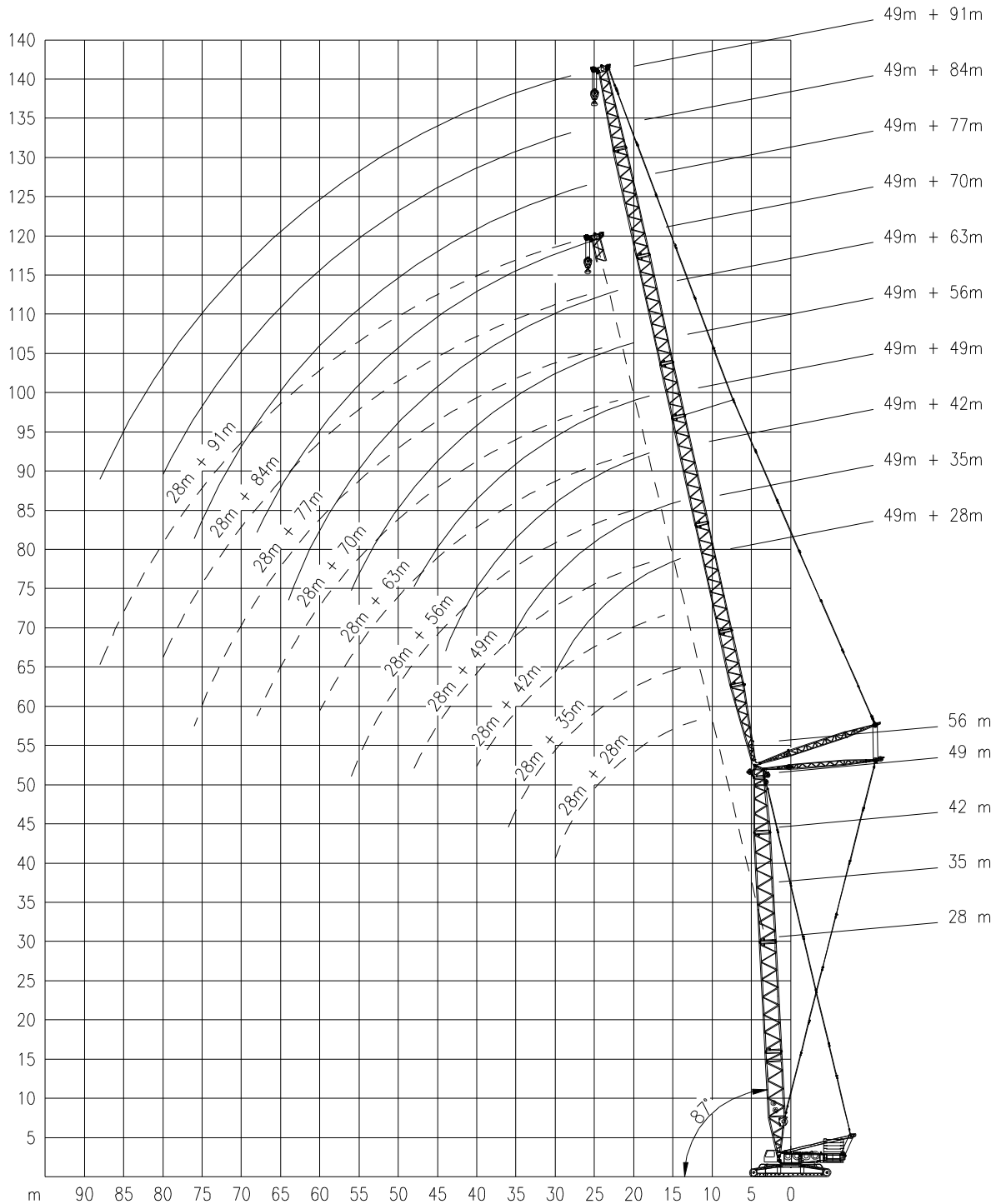
# LIEBHERR LR 1400/2

Working ranges  
Portées

## 400 TON

Arbeitsbereiche  
Werkbereich

### SW









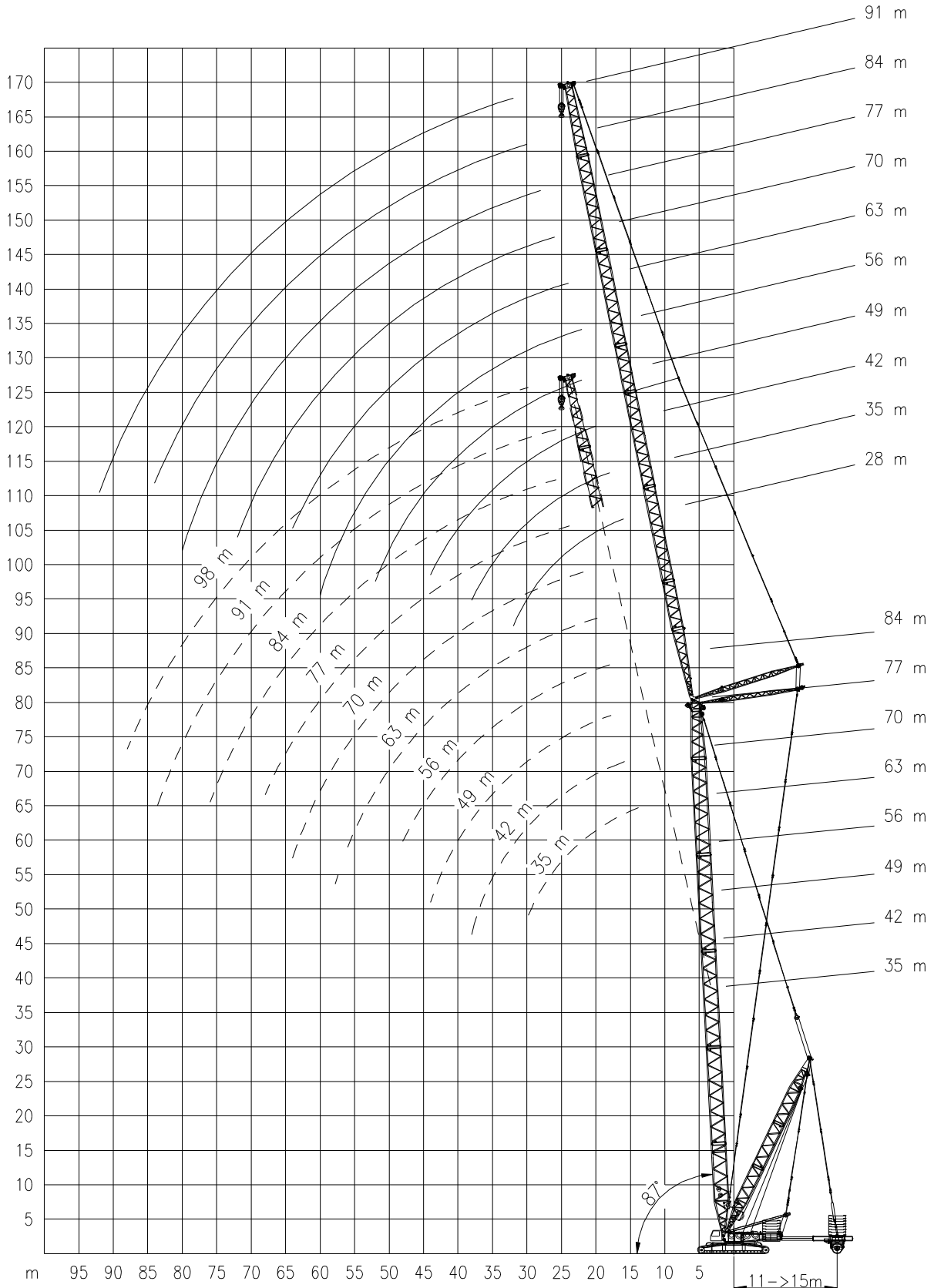
# LIEBHERR LR 1400/2

## 400 TON

Working ranges  
Portées

Arbeitsbereiche  
Werkbereich

SDW + SDWBW











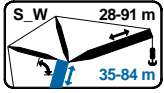


# LIEBHERR LR 1400/2

## 400 TON

### Lifting capacities Capacités

### Tragfähigkeiten Capacités



SDW-SDWBW- 87°



155 t + 43 t  
135 t + 43 t



DIN  
ISO

75%



m	W 28 m				S 63 m				W 42 m			
	SDW	SDWBW 260t			SwD	SwDBW 260t			SwD	SwDBW 260t		
	0t	11m	13m	15m	0t	11m	13m	15m	0t	11m	13m	15m
16.0	92.0	102.0	102.0	102.0	81.0	90.0	90.0	90.0	-	-	-	-
18.0	83.0	98.0	98.0	98.0	79.0	87.0	87.0	87.0	76.0	76.0	76.0	76.0
20.0	75.0	94.0	94.0	94.0	72.0	84.0	84.0	84.0	69.0	74.0	74.0	74.0
22.0	69.0	91.0	91.0	91.0	66.0	81.0	81.0	81.0	63.0	72.0	72.0	72.0
24.0	63.0	87.0	87.0	87.0	60.0	79.0	79.0	79.0	58.0	70.0	70.0	70.0
26.0	53.0	84.0	84.0	84.0	56.0	76.0	76.0	76.0	54.0	68.0	68.0	68.0
28.0	53.0	82.0	82.0	82.0	52.0	73.0	73.0	73.0	49.5	66.0	66.0	66.0
30.0	48.0	82.0	82.0	82.0	47.5	70.0	70.0	70.0	46.0	63.0	63.0	63.0
32.0	44.0	82.0	82.0	82.0	43.5	69.0	69.0	69.0	43.0	61.0	61.0	61.0
34.0	-	-	-	-	40.5	68.0	68.0	68.0	39.5	60.0	60.0	60.0
36.0	-	-	-	-	37.5	67.0	67.0	67.0	36.5	58.0	58.0	58.0
38.0	-	-	-	-	34.5	66.0	66.0	66.0	34.0	57.0	57.0	57.0
40.0	-	-	-	-	-	-	-	-	31.5	56.0	56.0	56.0
44.0	-	-	-	-	-	-	-	-	27.1	53.0	53.0	53.0
	W 49 m				W 56 m				W 63 m			
20.0	64.0	64.0	64.0	64.0	-	-	-	-	-	-	-	-
22.0	60.0	62.0	62.0	62.0	54.0	54.0	54.0	54.0	-	-	-	-
24.0	55.0	61.0	61.0	61.0	53.0	53.0	53.0	53.0	44.0	44.0	44.0	44.0
26.0	51.0	59.0	59.0	59.0	49.0	52.0	52.0	52.0	43.0	43.0	43.0	43.0
28.0	47.5	58.0	58.0	58.0	45.0	51.0	51.0	51.0	42.0	42.0	42.0	42.0
30.0	44.0	57.0	57.0	57.0	42.0	50.0	50.0	50.0	40.0	41.5	41.5	41.5
32.0	41.0	55.0	55.0	55.0	39.0	49.0	49.0	49.0	37.5	40.5	40.5	40.5
34.0	38.5	54.0	54.0	54.0	36.5	48.0	48.0	48.0	35.0	40.0	40.0	40.0
36.0	36.0	52.0	52.0	52.0	34.5	46.5	46.5	46.5	32.5	39.0	39.0	39.0
38.0	34.0	51.0	51.0	51.0	32.0	45.5	45.5	45.5	30.5	38.0	38.0	38.0
40.0	31.5	49.5	49.5	49.5	29.9	44.0	44.0	44.0	28.4	37.0	37.0	37.0
44.0	26.6	47.0	47.0	47.0	25.2	42.0	42.0	42.0	24.2	35.0	35.0	35.0
48.0	23.1	45.5	45.5	45.5	21.8	40.5	40.5	40.5	20.3	33.0	33.0	33.0
52.0	20.2	44.5	44.5	44.5	19.2	38.5	38.5	38.5	17.6	31.5	31.5	31.5
56.0	-	-	-	-	16.7	36.0	36.0	36.0	15.5	29.3	29.3	29.3
60.0	-	-	-	-	-	-	-	-	13.6	27.2	27.2	27.2
64.0	-	-	-	-	-	-	-	-	11.8	25.2	25.2	25.2
	W 70 m				W 77 m				W 84 m			
26.0	38.0	38.0	38.0	38.0	-	-	-	-	-	-	-	-
28.0	37.5	37.5	37.5	37.5	31.5	31.5	31.5	31.5	25.9	25.9	25.9	25.9
30.0	36.5	36.5	36.5	36.5	31.0	31.0	31.0	31.0	25.6	25.6	25.6	25.6
32.0	36.0	36.0	36.0	36.0	30.5	30.5	30.5	30.5	25.4	25.4	25.4	25.4
34.0	33.5	35.5	35.5	35.5	30.0	30.0	30.0	30.0	25.1	25.1	25.1	25.1
36.0	31.0	35.0	35.0	35.0	29.5	29.5	29.5	29.5	24.9	24.9	24.9	24.9
38.0	29.2	34.0	34.0	34.0	28.3	29.1	29.1	29.1	24.5	24.5	24.5	24.5
40.0	27.3	33.0	33.0	33.0	26.3	28.7	28.7	28.7	24.2	24.2	24.2	24.2
44.0	23.4	31.5	31.5	31.5	22.2	27.5	27.5	27.5	20.9	23.5	23.5	23.5
48.0	20.2	29.8	29.8	29.8	19.2	26.2	26.2	26.2	16.6	22.8	22.8	22.8
52.0	17.4	28.4	28.4	28.4	16.4	25.0	25.0	25.0	13.6	21.9	21.9	21.9
56.0	14.5	26.8	26.8	26.8	13.8	23.9	23.9	23.9	11.9	20.8	20.8	20.8
60.0	12.5	25.0	25.0	25.0	11.5	22.5	22.5	22.5	10.2	19.7	19.7	19.7
64.0	11.2	23.3	23.3	23.3	9.9	20.9	20.9	20.9	8.1	18.7	18.7	18.7
68.0	9.9	21.7	21.7	21.7	8.5	19.6	19.6	19.6	6.4	17.1	17.1	17.1
72.0	8.7	20.2	20.2	20.2	6.9	18.2	18.2	18.2	5.6	15.8	15.8	15.8
76.0	-	-	-	-	6.2	16.9	16.9	16.9	4.8	14.5	14.5	14.5
80.0	-	-	-	-	-	-	-	-	4.2	13.3	13.3	13.3
84.0	-	-	-	-	-	-	-	-	3.7	12.2	12.2	12.2
	W 91 m											
30.0	19.1	19.1	19.1	19.1	-	-	-	-	-	-	-	-
32.0	18.7	18.7	18.7	18.7	-	-	-	-	-	-	-	-
34.0	18.4	18.4	18.4	18.4	-	-	-	-	-	-	-	-
36.0	18.1	18.1	18.1	18.1	-	-	-	-	-	-	-	-
38.0	17.8	17.8	17.8	17.8	-	-	-	-	-	-	-	-
40.0	17.5	17.5	17.5	17.5	-	-	-	-	-	-	-	-
44.0	17.0	17.0	17.0	17.0	-	-	-	-	-	-	-	-
48.0	16.1	16.4	16.4	16.4	-	-	-	-	-	-	-	-
52.0	12.9	15.7	15.7	15.7	-	-	-	-	-	-	-	-
56.0	10.8	15.1	15.1	15.1	-	-	-	-	-	-	-	-
60.0	8.4	14.5	14.5	14.5	-	-	-	-	-	-	-	-
64.0	6.3	14.0	14.0	14.0	-	-	-	-	-	-	-	-
68.0	5.3	13.5	13.5	13.5	-	-	-	-	-	-	-	-
72.0	4.5	12.7	12.7	12.7	-	-	-	-	-	-	-	-
76.0	3.7	12.0	12.0	12.0	-	-	-	-	-	-	-	-
80.0	3.1	11.3	11.3	11.3	-	-	-	-	-	-	-	-
84.0	-	10.5	10.5	10.5	-	-	-	-	-	-	-	-
88.0	-	9.8	9.8	9.8	-	-	-	-	-	-	-	-
92.0	-	9.1	9.1	9.1	-	-	-	-	-	-	-	-

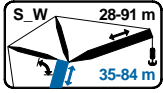


# LIEBHERR LR 1400/2

## 400 TON

Lifting capacities  
Capacités

Tragfähigkeiten  
Capacités



SDW-SDWBW- 87°



DIN  
ISO

75%

m	W 28 m				S 70 m				W 42 m			
	SDW	SDWBW 260t			SwD	SwDBW 260t			SwD	SwDBW 260t		
	0t	11m	13m	15m	0t	11m	13m	15m	0t	11m	13m	15m
16.0	87.0	90.0	90.0	90.0	-	-	-	-	-	-	-	-
18.0	79.0	86.0	86.0	86.0	75.0	76.0	76.0	76.0	-	-	-	-
20.0	71.0	83.0	83.0	83.0	68.0	74.0	74.0	74.0	65.0	65.0	65.0	65.0
22.0	65.0	80.0	80.0	80.0	62.0	72.0	72.0	72.0	60.0	63.0	63.0	63.0
24.0	60.0	77.0	77.0	77.0	57.0	70.0	70.0	70.0	55.0	61.0	61.0	61.0
26.0	56.0	74.0	74.0	74.0	53.0	67.0	67.0	67.0	51.0	60.0	60.0	60.0
28.0	52.0	73.0	73.0	73.0	49.5	65.0	65.0	65.0	47.0	58.0	58.0	58.0
30.0	47.5	72.0	72.0	72.0	46.0	63.0	63.0	63.0	44.0	56.0	56.0	56.0
32.0	43.5	72.0	72.0	72.0	43.0	61.0	61.0	61.0	41.0	54.0	54.0	54.0
34.0	-	-	-	-	39.5	60.0	60.0	60.0	38.0	53.0	53.0	53.0
36.0	-	-	-	-	36.5	59.0	59.0	59.0	35.5	52.0	52.0	52.0
38.0	-	-	-	-	34.0	58.0	58.0	58.0	33.0	50.0	50.0	50.0
40.0	-	-	-	-	-	-	-	-	30.5	49.5	49.5	49.5
44.0	-	-	-	-	-	-	-	-	25.9	47.5	47.5	47.5
W 49 m				W 56 m				W 63 m				
20.0	57.0	57.0	57.0	57.0	-	-	-	-	-	-	-	-
22.0	56.0	56.0	56.0	56.0	48.5	48.5	48.5	48.5	-	-	-	-
24.0	52.0	54.0	54.0	54.0	47.0	47.0	47.0	47.0	39.5	39.5	39.5	39.5
26.0	48.5	53.0	53.0	53.0	46.0	46.0	46.0	46.0	38.5	38.5	38.5	38.5
28.0	44.5	52.0	52.0	52.0	42.5	45.5	45.5	45.5	37.5	37.5	37.5	37.5
30.0	41.5	51.0	51.0	51.0	39.5	44.5	44.5	44.5	37.0	37.0	37.0	37.0
32.0	39.0	49.0	49.0	49.0	37.0	43.5	43.5	43.5	35.5	36.0	36.0	36.0
34.0	36.5	47.5	47.5	47.5	34.5	42.0	42.0	42.0	33.0	35.5	35.5	35.5
36.0	34.0	46.0	46.0	46.0	32.5	41.0	41.0	41.0	31.0	35.0	35.0	35.0
38.0	32.0	45.0	45.0	45.0	30.5	40.0	40.0	40.0	28.9	34.0	34.0	34.0
40.0	29.7	43.5	43.5	43.5	28.6	39.0	39.0	39.0	27.0	33.0	33.0	33.0
44.0	25.5	42.0	42.0	42.0	23.9	37.0	37.0	37.0	22.8	31.0	31.0	31.0
48.0	22.2	41.0	41.0	41.0	20.6	35.5	35.5	35.5	19.0	29.3	29.3	29.3
52.0	19.2	39.5	39.5	39.5	18.1	35.0	35.0	35.0	16.3	28.0	28.0	28.0
56.0	-	-	-	-	15.8	34.0	34.0	34.0	14.4	26.3	26.3	26.3
60.0	-	-	-	-	13.6	33.0	33.0	33.0	12.6	24.4	24.4	24.4
64.0	-	-	-	-	-	-	-	-	10.9	22.7	22.7	22.7
W 70 m				W 77 m				W 84 m				
26.0	34.0	34.0	34.0	34.0	-	-	-	-	-	-	-	-
28.0	33.0	33.0	33.0	33.0	28.2	28.2	28.2	28.2	-	-	-	-
30.0	32.5	32.5	32.5	32.5	27.8	27.8	27.8	27.8	23.1	23.1	23.1	23.1
32.0	32.0	32.0	32.0	32.0	27.3	27.3	27.3	27.3	22.8	22.8	22.8	22.8
34.0	31.0	31.0	31.0	31.0	26.8	26.8	26.8	26.8	22.5	22.5	22.5	22.5
36.0	29.3	30.5	30.5	30.5	26.4	26.4	26.4	26.4	22.0	22.0	22.0	22.0
38.0	27.4	29.9	29.9	29.9	25.9	25.9	25.9	25.9	21.6	21.6	21.6	21.6
40.0	25.4	29.4	29.4	29.4	24.2	25.5	25.5	25.5	21.3	21.3	21.3	21.3
44.0	21.6	28.0	28.0	28.0	20.6	24.4	24.4	24.4	18.9	20.5	20.5	20.5
48.0	18.5	26.5	26.5	26.5	17.4	23.1	23.1	23.1	15.4	19.9	19.9	19.9
52.0	15.8	25.1	25.1	25.1	14.7	21.8	21.8	21.8	12.5	19.0	19.0	19.0
56.0	13.4	23.7	23.7	23.7	12.3	20.7	20.7	20.7	10.4	17.9	17.9	17.9
60.0	11.5	22.3	22.3	22.3	10.2	19.6	19.6	19.6	8.0	16.9	16.9	16.9
64.0	9.7	20.8	20.8	20.8	8.2	18.6	18.6	18.6	6.2	15.9	15.9	15.9
68.0	8.2	19.4	19.4	19.4	6.5	17.3	17.3	17.3	5.2	15.0	15.0	15.0
72.0	7.0	18.1	18.1	18.1	5.7	16.1	16.1	16.1	4.4	13.8	13.8	13.8
76.0	-	-	-	-	5.1	14.9	14.9	14.9	3.8	12.7	12.7	12.7
80.0	-	-	-	-	4.7	13.8	13.8	13.8	3.2	11.6	11.6	11.6
84.0	-	-	-	-	-	-	-	-	-	10.6	10.6	10.6
W 91 m				W 91 m				W 91 m				
30.0	17.5	17.5	17.5	17.5	-	-	-	-	-	-	-	-
32.0	17.1	17.1	17.1	17.1	-	-	-	-	-	-	-	-
34.0	16.7	16.7	16.7	16.7	-	-	-	-	-	-	-	-
36.0	16.4	16.4	16.4	16.4	-	-	-	-	-	-	-	-
38.0	16.1	16.1	16.1	16.1	-	-	-	-	-	-	-	-
40.0	15.8	15.8	15.8	15.8	-	-	-	-	-	-	-	-
44.0	15.3	15.3	15.3	15.3	-	-	-	-	-	-	-	-
48.0	14.2	14.8	14.8	14.8	-	-	-	-	-	-	-	-
52.0	11.2	14.3	14.3	14.3	-	-	-	-	-	-	-	-
56.0	8.3	13.8	13.8	13.8	-	-	-	-	-	-	-	-
60.0	6.1	13.1	13.1	13.1	-	-	-	-	-	-	-	-
64.0	5.0	12.4	12.4	12.4	-	-	-	-	-	-	-	-
68.0	4.1	11.8	11.8	11.8	-	-	-	-	-	-	-	-
72.0	3.3	11.3	11.3	11.3	-	-	-	-	-	-	-	-
76.0	-	10.6	10.6	10.6	-	-	-	-	-	-	-	-
80.0	-	9.9	9.9	9.9	-	-	-	-	-	-	-	-
84.0	-	9.1	9.1	9.1	-	-	-	-	-	-	-	-
88.0	-	8.5	8.5	8.5	-	-	-	-	-	-	-	-
92.0	-	7.8	7.8	7.8	-	-	-	-	-	-	-	-



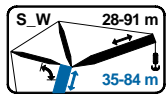


# LIEBHERR LR 1400/2

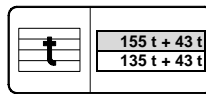
## 400 TON

Lifting capacities  
Capacités

Tragfähigkeiten  
Capacités



SDW-SDWBW- 87°



DIN  
ISO

75%

m	W 28 m				S 77 m				W 42 m			
	SDW	SDWBW 260t			SwD	SwDBW 260t			SwD	SwDBW 260t		
	0t	11m	13m	15m	0t	11m	13m	15m	0t	11m	13m	15m
16.0	79.0	79.0	79.0	79.0	-	-	-	-	-	-	-	-
18.0	74.0	77.0	77.0	77.0	67.0	67.0	67.0	67.0	-	-	-	-
20.0	67.0	74.0	74.0	74.0	64.0	65.0	65.0	65.0	58.0	58.0	58.0	58.0
22.0	62.0	71.0	71.0	71.0	59.0	64.0	64.0	64.0	56.0	56.0	56.0	56.0
24.0	57.0	69.0	69.0	69.0	54.0	61.0	61.0	61.0	52.0	55.0	55.0	55.0
26.0	53.0	67.0	67.0	67.0	50.0	59.0	59.0	59.0	48.0	53.0	53.0	53.0
28.0	49.0	65.0	65.0	65.0	46.5	57.0	57.0	57.0	44.5	51.0	51.0	51.0
30.0	46.0	64.0	64.0	64.0	43.5	55.0	55.0	55.0	41.5	49.5	49.5	49.5
32.0	42.0	62.0	62.0	62.0	40.5	53.0	53.0	53.0	38.5	48.0	48.0	48.0
34.0	-	-	-	-	38.0	52.0	52.0	52.0	36.0	46.5	46.5	46.5
36.0	-	-	-	-	35.5	51.0	51.0	51.0	34.0	45.0	45.0	45.0
38.0	-	-	-	-	32.5	51.0	51.0	51.0	32.0	44.0	44.0	44.0
40.0	-	-	-	-	-	-	-	-	29.7	43.0	43.0	43.0
44.0	-	-	-	-	-	-	-	-	25.5	41.5	41.5	41.5
	W 49 m				W 56 m				W 63 m			
22.0	49.5	49.5	49.5	49.5	42.5	42.5	42.5	42.5	-	-	-	-
24.0	48.0	48.0	48.0	48.0	41.5	41.5	41.5	41.5	35.0	35.0	35.0	35.0
26.0	45.5	47.0	47.0	47.0	40.5	40.5	40.5	40.5	34.0	34.0	34.0	34.0
28.0	42.0	45.5	45.5	45.5	39.5	39.5	39.5	39.5	33.5	33.5	33.5	33.5
30.0	39.0	44.0	44.0	44.0	37.5	38.5	38.5	38.5	32.5	32.5	32.5	32.5
32.0	36.5	43.0	43.0	43.0	35.0	38.0	38.0	38.0	32.0	32.0	32.0	32.0
34.0	34.0	41.5	41.5	41.5	32.5	36.5	36.5	36.5	31.0	31.5	31.5	31.5
36.0	32.0	40.5	40.5	40.5	30.5	35.5	35.5	35.5	28.9	30.5	30.5	30.5
38.0	30.0	39.0	39.0	39.0	28.5	34.5	34.5	34.5	27.0	29.8	29.8	29.8
40.0	28.3	38.5	38.5	38.5	26.6	33.5	33.5	33.5	25.0	28.9	28.9	28.9
44.0	24.6	37.0	37.0	37.0	22.5	31.5	31.5	31.5	21.3	27.2	27.2	27.2
48.0	21.1	35.5	35.5	35.5	19.3	30.5	30.5	30.5	18.3	25.7	25.7	25.7
52.0	18.0	34.5	34.5	34.5	16.9	29.7	29.7	29.7	15.7	24.4	24.4	24.4
56.0	-	-	-	-	14.7	28.9	28.9	28.9	13.5	23.4	23.4	23.4
60.0	-	-	-	-	12.6	28.2	28.2	28.2	11.6	22.2	22.2	22.2
64.0	-	-	-	-	-	-	-	-	10.1	20.6	20.6	20.6
	W 70 m				W 77 m				W 84 m			
26.0	29.8	29.8	29.8	29.8	-	-	-	-	-	-	-	-
28.0	29.2	29.2	29.2	29.2	24.8	24.8	24.8	24.8	-	-	-	-
30.0	28.6	28.6	28.6	28.6	24.2	24.2	24.2	24.2	20.4	20.4	20.4	20.4
32.0	28.1	28.1	28.1	28.1	23.7	23.7	23.7	23.7	19.9	19.9	19.9	19.9
34.0	27.6	27.6	27.6	27.6	23.2	23.2	23.2	23.2	19.5	19.5	19.5	19.5
36.0	27.0	27.0	27.0	27.0	22.7	22.7	22.7	22.7	19.1	19.1	19.1	19.1
38.0	25.4	26.2	26.2	26.2	22.3	22.3	22.3	22.3	18.7	18.7	18.7	18.7
40.0	23.3	25.4	25.4	25.4	21.8	21.8	21.8	21.8	18.3	18.3	18.3	18.3
44.0	19.6	23.9	23.9	23.9	18.5	20.7	20.7	20.7	16.7	17.6	17.6	17.6
48.0	16.5	22.6	22.6	22.6	15.4	19.5	19.5	19.5	13.3	16.8	16.8	16.8
52.0	13.9	21.3	21.3	21.3	12.7	18.5	18.5	18.5	10.6	15.9	15.9	15.9
56.0	11.5	20.3	20.3	20.3	10.2	17.5	17.5	17.5	7.4	15.0	15.0	15.0
60.0	9.5	19.4	19.4	19.4	7.7	16.5	16.5	16.5	5.8	14.1	14.1	14.1
64.0	7.5	18.5	18.5	18.5	6.1	15.7	15.7	15.7	4.8	13.3	13.3	13.3
68.0	6.3	17.2	17.2	17.2	5.3	15.1	15.1	15.1	4.0	12.6	12.6	12.6
72.0	5.7	15.9	15.9	15.9	4.6	14.1	14.1	14.1	3.2	12.1	12.1	12.1
76.0	-	-	-	-	4.0	13.0	13.0	13.0	-	11.1	11.1	11.1
80.0	-	-	-	-	3.6	12.1	12.1	12.1	-	10.1	10.1	10.1
84.0	-	-	-	-	-	-	-	-	-	9.2	9.2	9.2
	W 91 m											
32.0	-	15.3	15.3	15.3								
34.0	-	14.9	14.9	14.9								
36.0	-	14.7	14.7	14.7								
38.0	-	14.3	14.3	14.3								
40.0	-	13.6	13.6	13.6								
44.0	-	12.3	12.3	12.3								
48.0	-	11.3	11.3	11.3								
52.0	-	10.6	10.6	10.6								
56.0	-	9.9	9.9	9.9								
60.0	-	9.5	9.5	9.5								
64.0	-	9.0	9.0	9.0								
68.0	-	8.8	8.8	8.8								
72.0	-	8.7	8.7	8.7								
76.0	-	8.6	8.6	8.6								
80.0	-	8.5	8.5	8.5								
84.0	-	7.8	7.8	7.8								
88.0	-	7.2	7.2	7.2								
92.0	-	6.6	6.6	6.6								

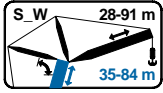


# LIEBHERR LR 1400/2

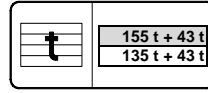
## 400 TON

Lifting capacities  
Capacités

Tragfähigkeiten  
Capacités



SDW-SDWBW- 87°



DIN  
ISO

75%

m	W 35 m				S 84 m				W 49 m			
	SDW		SDWBW 260t		SwD		SwDBW 260t		SwD		SwDBW 260t	
	0t	11m	13m	15m	0t	11m	13m	15m	0t	11m	13m	15m
18.0	59.0	59.0	59.0	59.0	-	-	-	-	-	-	-	-
20.0	57.0	57.0	57.0	57.0	50.0	50.0	50.0	50.0	-	-	-	-
22.0	55.0	56.0	56.0	56.0	48.5	48.5	48.5	48.5	43.0	43.0	43.0	43.0
24.0	51.0	54.0	54.0	54.0	47.5	47.5	47.5	47.5	41.5	41.5	41.5	41.5
26.0	47.0	52.0	52.0	52.0	45.0	46.0	46.0	46.0	40.5	40.5	40.5	40.5
28.0	44.0	50.0	50.0	50.0	41.5	44.5	44.5	44.5	39.5	39.5	39.5	39.5
30.0	41.0	48.0	48.0	48.0	39.0	43.0	43.0	43.0	36.5	38.0	38.0	38.0
32.0	38.0	46.5	46.5	46.5	36.5	41.5	41.5	41.5	34.0	37.0	37.0	37.0
34.0	36.0	45.5	45.5	45.5	34.0	40.5	40.5	40.5	32.0	36.0	36.0	36.0
36.0	34.0	45.0	45.0	45.0	32.0	39.5	39.5	39.5	30.0	35.0	35.0	35.0
38.0	32.0	44.0	44.0	44.0	30.0	38.5	38.5	38.5	28.1	34.5	34.5	34.5
40.0	29.5	43.0	43.0	43.0	28.3	37.5	37.5	37.5	26.3	33.5	33.5	33.5
44.0	-	-	-	-	24.1	36.0	36.0	36.0	22.7	32.0	32.0	32.0
48.0	-	-	-	-	-	-	-	-	19.8	30.5	30.5	30.5
52.0	-	-	-	-	-	-	-	-	17.5	29.6	29.6	29.6
	W 56 m				W 63 m				W 70 m			
24.0	37.0	37.0	37.0	37.0	-	-	-	-	-	-	-	-
26.0	36.0	36.0	36.0	36.0	31.0	31.0	31.0	31.0	-	26.7	26.7	26.7
28.0	35.0	35.0	35.0	35.0	30.5	30.5	30.5	30.5	-	26.0	26.0	26.0
30.0	34.0	34.0	34.0	34.0	29.6	29.6	29.6	29.6	-	25.4	25.4	25.4
32.0	32.5	33.0	33.0	33.0	29.0	29.0	29.0	29.0	-	24.8	24.8	24.8
34.0	30.5	32.5	32.5	32.5	28.4	28.4	28.4	28.4	-	24.3	24.3	24.3
36.0	28.3	31.5	31.5	31.5	26.9	27.5	27.5	27.5	-	23.7	23.7	23.7
38.0	26.5	30.5	30.5	30.5	24.9	26.7	26.7	26.7	-	23.2	23.2	23.2
40.0	24.5	29.5	29.5	29.5	22.8	25.9	25.9	25.9	-	22.8	22.8	22.8
44.0	21.0	27.7	27.7	27.7	19.3	24.5	24.5	24.5	-	21.6	21.6	21.6
48.0	18.0	26.5	26.5	26.5	16.3	23.3	23.3	23.3	-	20.3	20.3	20.3
52.0	15.6	25.6	25.6	25.6	13.7	22.3	22.3	22.3	-	19.1	19.1	19.1
56.0	13.6	24.8	24.8	24.8	11.5	21.3	21.3	21.3	-	18.0	18.0	18.0
60.0	11.9	24.1	24.1	24.1	9.6	20.5	20.5	20.5	-	17.2	17.2	17.2
64.0	-	-	-	-	7.9	19.7	19.7	19.7	-	16.6	16.6	16.6
68.0	-	-	-	-	-	-	-	-	-	16.0	16.0	16.0
72.0	-	-	-	-	-	-	-	-	-	15.5	15.5	15.5
	W 77 m				W 84 m							
30.0	22.0	22.5	22.5	22.5	-	-	-	-				
32.0	21.5	22.0	22.0	22.0	-	18.2	18.2	18.2				
34.0	21.1	21.5	21.5	21.5	-	17.7	17.7	17.7				
36.0	20.7	21.1	21.1	21.1	-	17.3	17.3	17.3				
38.0	20.3	20.7	20.7	20.7	-	16.9	16.9	16.9				
40.0	19.8	20.3	20.3	20.3	-	16.1	16.1	16.1				
44.0	19.8	19.9	19.9	19.9	-	15.4	15.4	15.4				
48.0	16.2	19.0	19.0	19.0	-	13.9	13.9	13.9				
48.0	13.1	18.0	18.0	18.0	-	12.9	12.9	12.9				
52.0	10.2	17.0	17.0	17.0	-	12.3	12.3	12.3				
56.0	6.7	15.7	15.7	15.7	-	11.7	11.7	11.7				
60.0	5.7	14.6	14.6	14.6	-	11.3	11.3	11.3				
64.0	4.8	14.0	14.0	14.0	-	10.8	10.8	10.8				
68.0	4.0	13.8	13.8	13.8	-	10.5	10.5	10.5				
72.0	3.4	13.4	13.4	13.4	-	10.3	10.3	10.3				
76.0	-	12.9	12.9	12.9	-	10.1	10.1	10.1				
80.0	-	12.0	12.0	12.0	-	9.9	9.9	9.9				
84.0	-	-	-	-	-	9.2	9.2	9.2				
88.0	-	-	-	-	-	8.2	8.2	8.2				



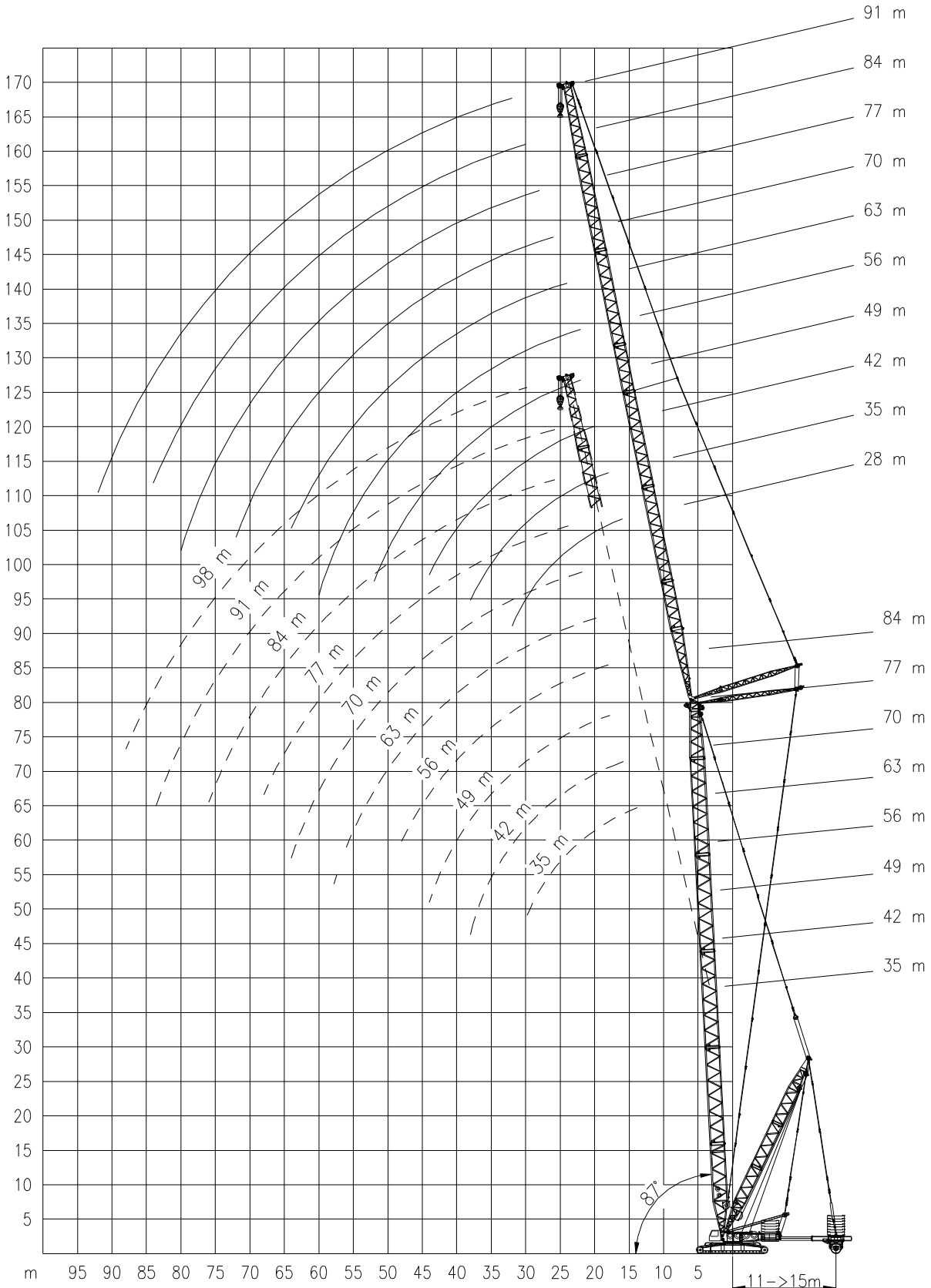
# LIEBHERR LR 1400/2

Working ranges  
Portées

## 400 TON

Arbeitsbereiche  
Werkbereich

### SDW + SDWBW





# LIEBHERR LR 1400/2

## 400 TON

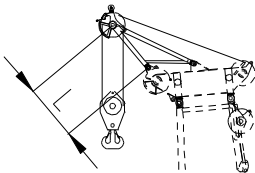
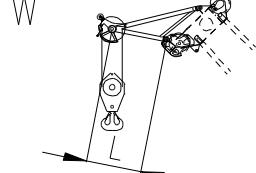
**Working speeds**  
**Vitesses de travail**

**Arbeitsgeschwindigkeiten**  
**Werksnelheden**

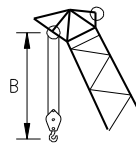
Mechanisms Mécanismes Antriebe Aandrijvingen	Speeds Vitesses Geschwindigkeiten Snelheden	Rope diameter Diamètre du câble Seildurchmesser Kabeldiameter	Single line pull Effort sur brin simple Zulässiger Seilzug je Strang Toegelaten trekkraft per part	Length of ropes Longueur des câbles Länge der Seile Kabellengte
Main hoist No.1 Levage sur flèche No.1 Hubwerk 1 Hijlslier 1	0 - 134 m/min	25 mm	125 kN	850 m
Main hoist No.2 Levage sur flèche No.2 Hubwerk 2 Hijlslier 2	0 - 134 m/min	25 mm	125 kN	850 m
Luffing hoist Relevage de fléchette Wippwerk Toplier wipper	0 - 134 m/min	25 mm	125 kN	750 m
Hoist A-frame Relevage chevalet Einziehwerk lier A-frame	2 x 0 - 70 m/min	25 mm	2 x 125 kN	580 m
Main boom hoist / D-operation Levage de flèche principale / version D Verstellung Hauptausleger / D-betrieb Toplier hoofdgiek / D-uitvoering	0 - 145 m/min	25 mm	130 kN	930 m
Runner Hoist Levage de crochet rapide Hubwerk Mastnase Hijlslier Runner	0 - 134 m/min	25 mm	125 kN	500 m

**Runner**  
**Crochet rapide**

**Auslegerspitze**  
**Giekneus**

S 	Capacity Max. 36t Capacité Max. 36t Tragfähigkeit Max. 36t Capaciteit Max. 36t  L = 1800 mm	W 	Capacity Max. 36t Capacité Max. 36t Tragfähigkeit Max. 36t Capaciteit Max. 36t  L = 1800mm
--	--	---	---

**Hook block/Crane hook**  
**Crochet mouflé/Crochet simple**



**Unterflasche/Hakengehänge**  
**Kraanblok/Kraanhaak**

Capacity Capacité Tragfähigkeit Capaciteit	Number of sheaves Nombre de poulies Anzahl der Rollen Aantal schijven	Number of lines Nombre de brins Strangzahl Aantal parten	Weight Poids Gewicht	"B"
SWL 400t / 200t	2 x 9 / 1 x 9	2 x 19 / 1 x 19	8 / 5.4 t	5.3 m
SWL 80 t	3	7	2.6 t	4.2 m
SWL 36 t	1	3	1.5 t	4 m